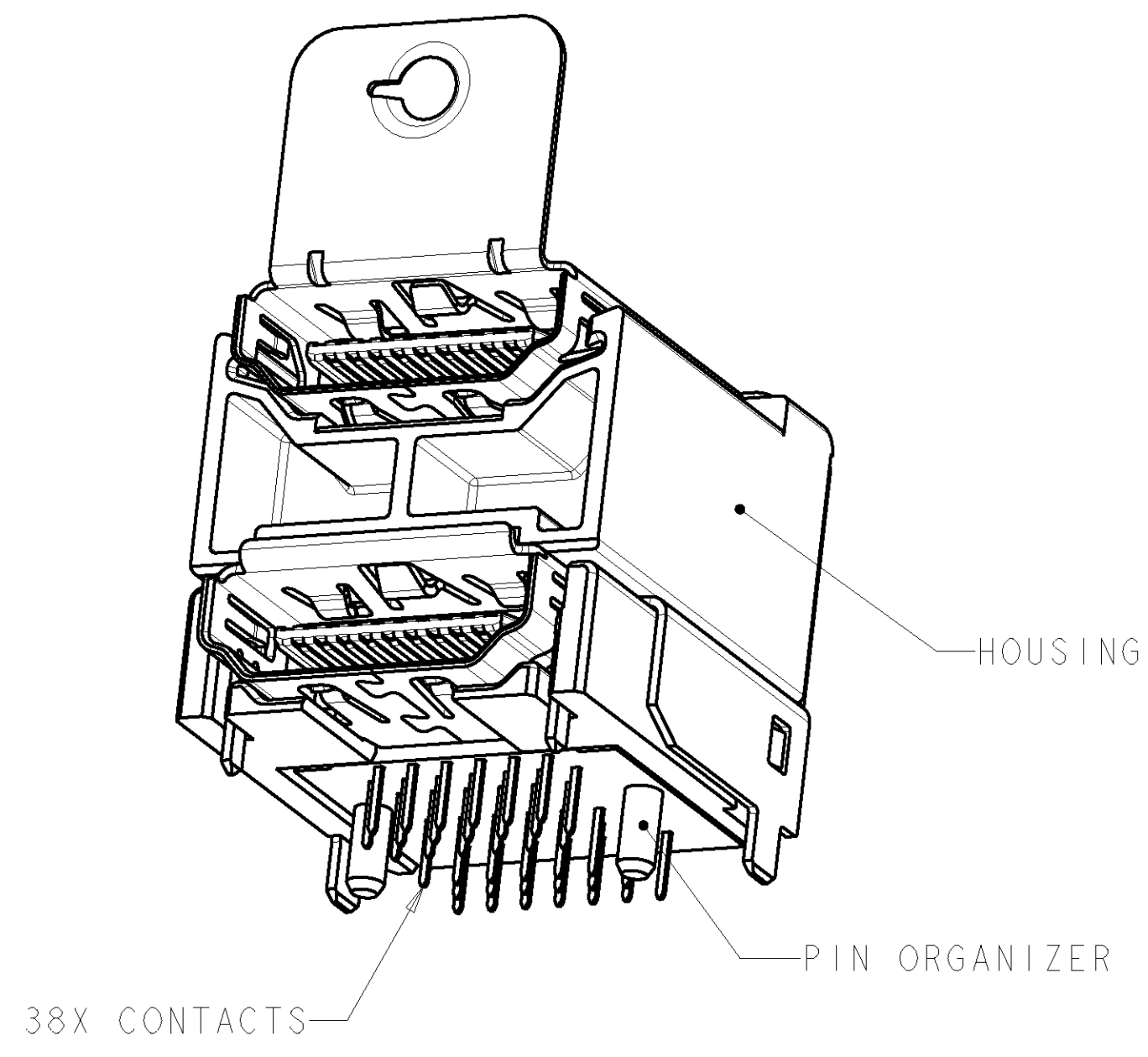
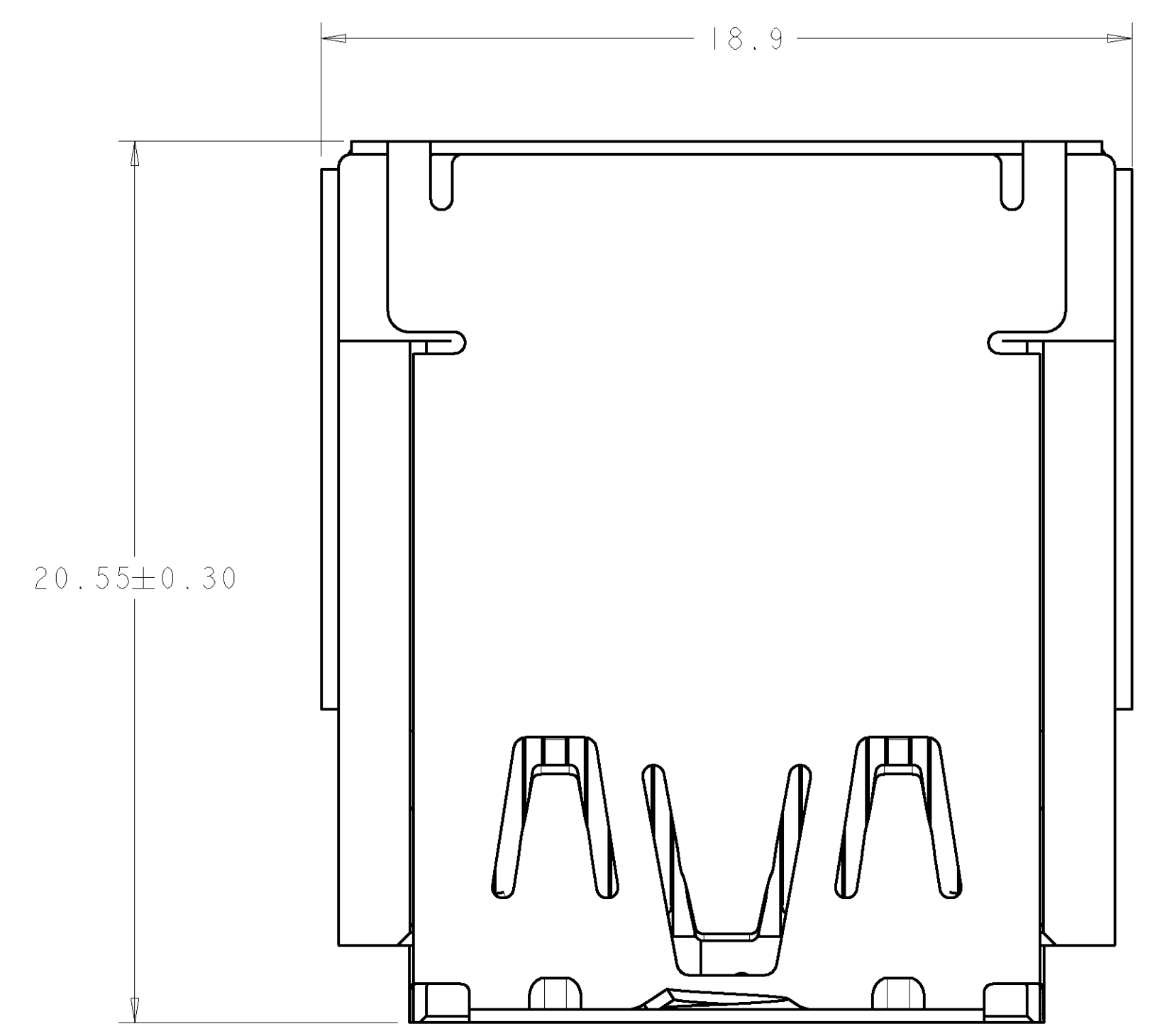
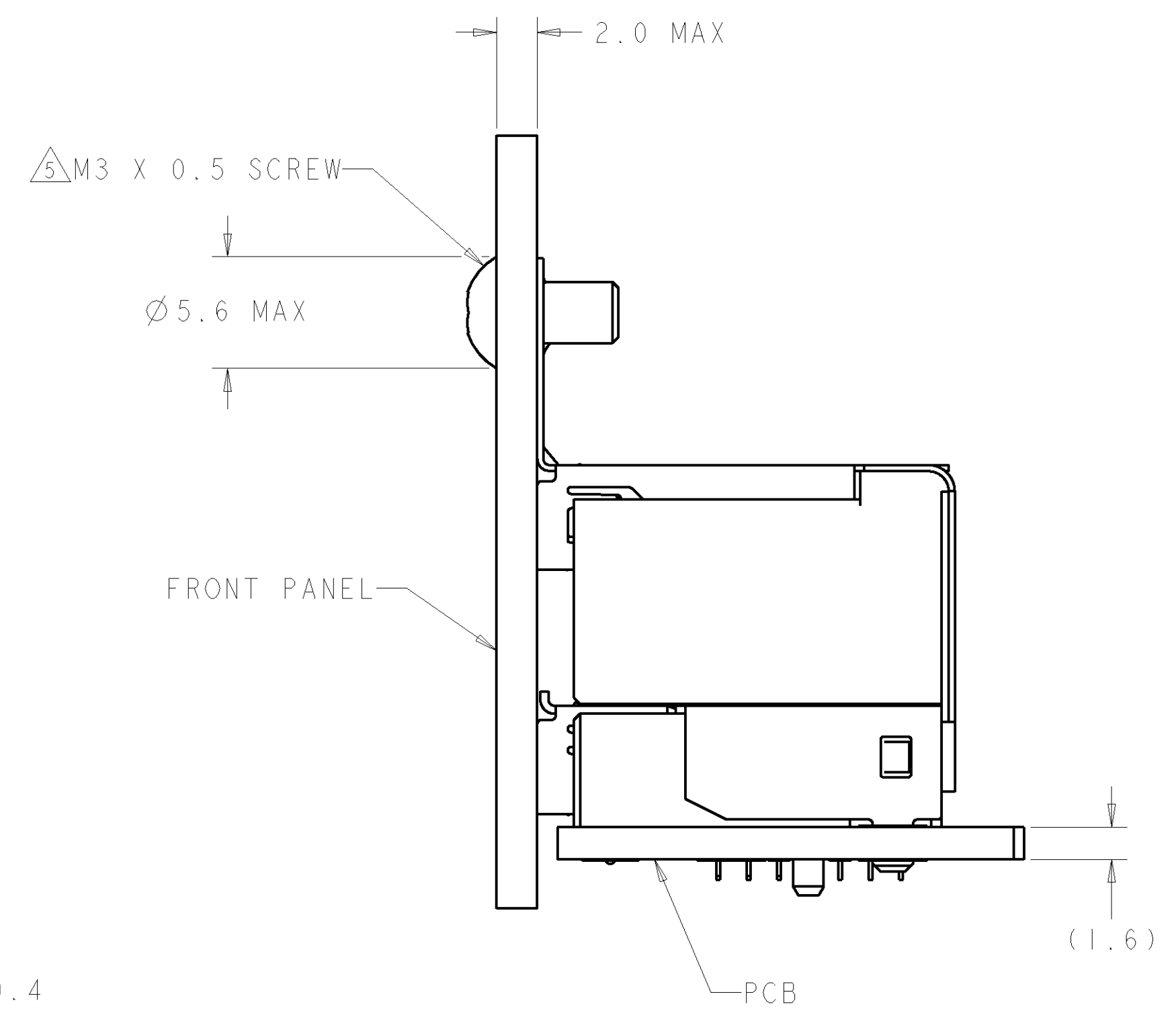
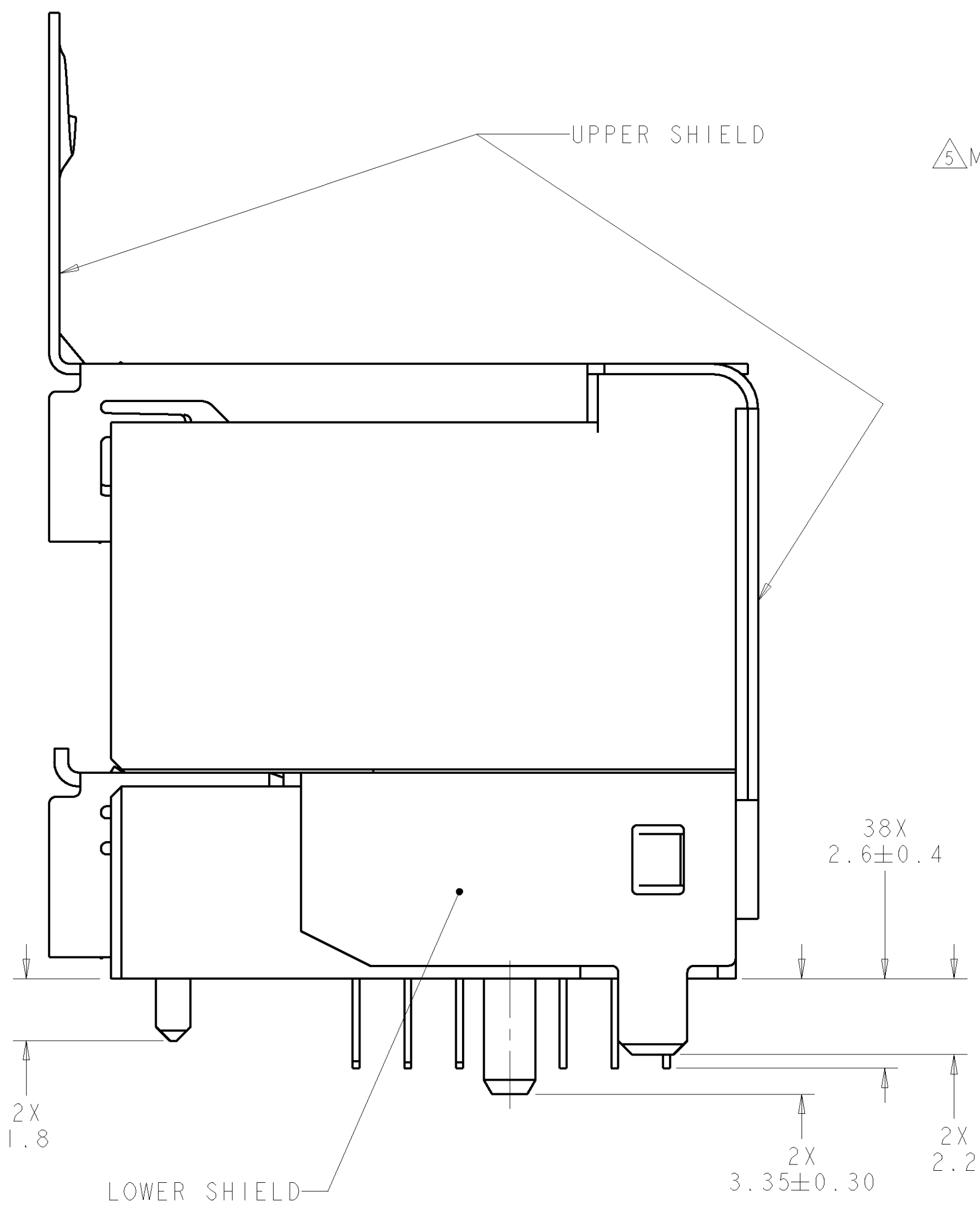
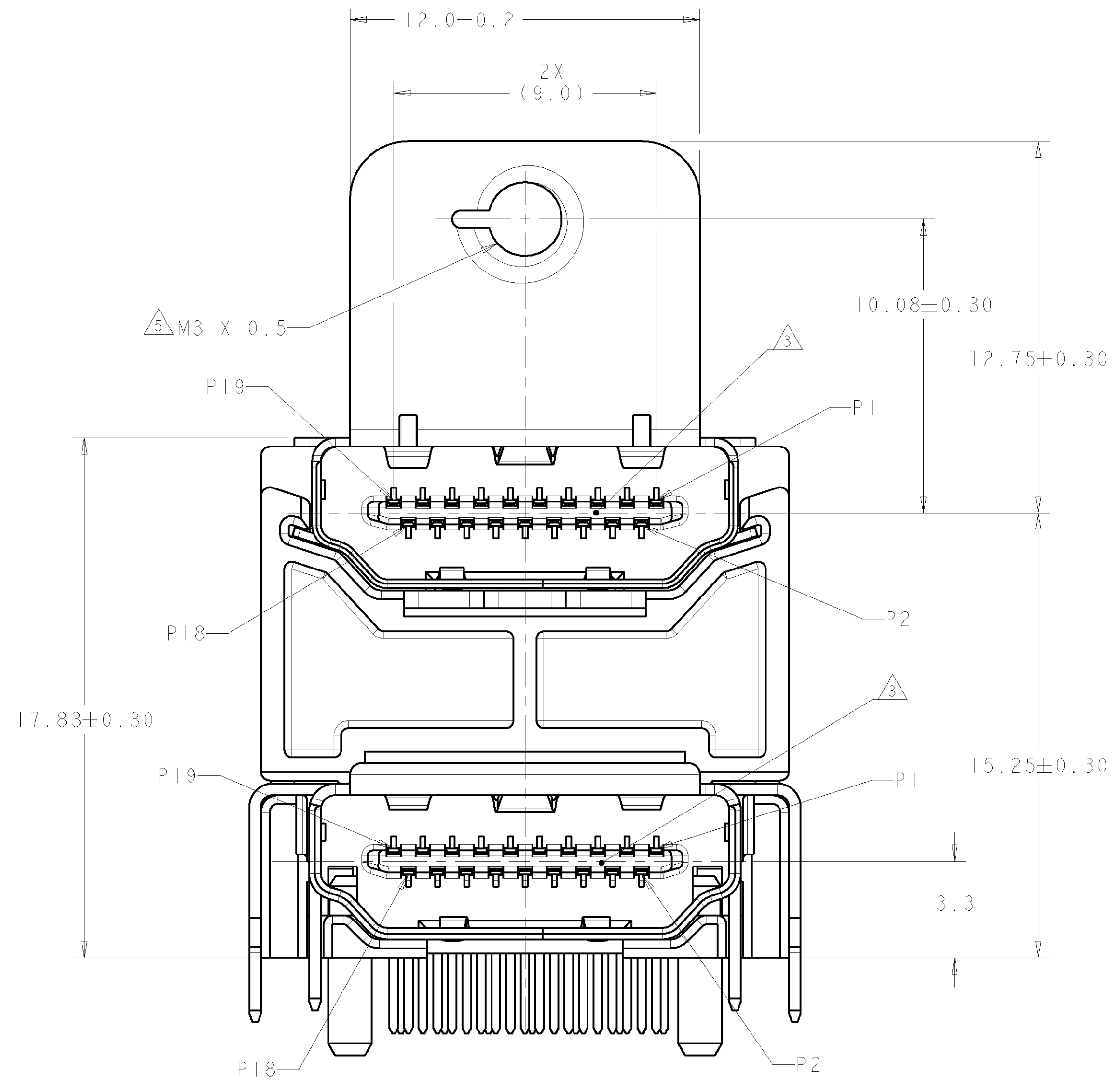


LOC	DIST	REV	DATE	BY	CHK	APPV
GP	00	A1	21APR11	RK	HMR	



ISOMETRIC VIEW
SCALE 4:1

- 1 MATERIALS:**
 HOUSING & PIN ORGANIZER: HIGH TEMP THERMOPLASTIC, UL94V-0, BLACK.
 CONTACTS: COPPER ALLOY
 SHIELDS: STAINLESS STEEL
- 2 FINISH:**
 CONTACTS:
 GOLD FLASH OVER
 PALLADIUM-NICKEL PLATE, 0.3µm MIN TOTAL ON THE MATING SURFACE,
 2µm MIN TIN PLATE ON THE SOLDER-TAIL,
 2µm MIN NICKEL UNDERPLATE ON THE ENTIRE CONTACT.
 OR
 0.3µm MIN GOLD PLATE ON THE MATING SURFACE,
 2µm MIN TIN PLATE ON THE SOLDER-TAIL,
 2µm MIN NICKEL UNDERPLATE ON THE ENTIRE CONTACT.
 LOWER SHIELD:
 0.75µm MIN TIN OVER
 0.8µm MIN NICKEL UNDERPLATE
- 3 INTERFACE DIMENSIONS ARE PER HDMI SPECIFICATION VERSION 1.3a.**
- 4. WAVE SOLDER COMPATIBLE PER 109-202, CONDITION B, NO CLEAN FLUX IS RECOMMENDED.**
- 5 APPLIED TORQUE MUST NOT EXCEED 4 kg-cm (3.47 in-lbs).**
- 6 HOLES INDICATED ARE NOT REQUIRED FOR MOUNTING OF 1888811-1 BUT MUST BE ADDED TO ENABLE INTERCHANGEABILITY WITH 1746679.**



INSTALLED CONDITION VIEW
SCALE 4:1

1888811-1
PART NO

DIMENSIONS:		TOLERANCES UNLESS OTHERWISE SPECIFIED:		DWG: J. McCLINTON 16 JAN 2007		TE Connectivity	
mm	0 PLC ±0.3	1 PLC ±0.3	2 PLC ±0.05	3 PLC ±0.05	4 PLC ±0.05	APVD: J. McCLELLAN 16 JAN 2007	NAME: CONNECTOR ASSEMBLY, HDMI STACKED
	ANGLES ±0.5	FINISH ±0.1				PRODUCT SPEC: -	APPLICATION SPEC: -
MATERIAL: 1	FINISH: 2	WEIGHT: -	SIZE: A1	CAGE CODE: 00779	DRAWING NO: C-1888811	RESTRICTED TO: -	
CUSTOMER DRAWING						SCALE: 8:1	SHEET 1 OF 2 REV A1

